

**HOMEDICS®**



**PLEASE TAKE A  
MOMENT NOW  
REGISTER YOUR PRODUCT AT:**

[www.homedics.com/register](http://www.homedics.com/register)

Your valuable input regarding this product will help us create the products you will want in the future.

# UV-CLEAN

## PHONE SANITIZER

INSTRUCTION MANUAL AND WARRANTY INFORMATION

**1-YEAR LIMITED WARRANTY**

SAN-PH100

# IMPORTANT SAFETY INSTRUCTIONS

WHEN USING ELECTRICAL PRODUCTS, BASIC SAFETY PRECAUTIONS SHOULD ALWAYS BE FOLLOWED, INCLUDING THE FOLLOWING:

READ ALL INSTRUCTIONS BEFORE USING.

## **DANGER** – TO REDUCE THE RISK OF ELECTRIC SHOCK:

- DO NOT place or store appliance where it can fall or be pulled into a tub or sink.
- DO NOT place in or drop into water or other liquids.

## **WARNING** – TO REDUCE THE RISK OF BURNS, FIRE, ELECTRIC SHOCK, OR INJURY TO PERSONS:

- THIS PRODUCT IS PROVIDED WITH A SAFETY MECHANISM TO REDUCE THE RISK OF EXPOSURE TO ULTRAVIOLET RADIATION. DO NOT DEFEAT ITS PURPOSE. USE THE DEVICE WITH THE ZIPPER COMPLETELY CLOSED.
- DO NOT attempt to look directly at the UV LEDs while the unit is on. UV light can be irritating to the eyes and skin.
- DO NOT attempt to modify this product. It has been designed to contain UV exposure.

# SAVE THESE INSTRUCTIONS

## **CAUTION** – PLEASE READ ALL INSTRUCTIONS CAREFULLY BEFORE OPERATING.

- DO NOT expose the device to fire or excessive temperature. Exposure to fire or temperature above 265°F may cause explosion.
- Follow all charging instructions and do not charge the device outside of the temperature range specified. Charging improperly or at temperatures outside of the specified range may damage the battery and increase the risk of fire. Product operating and charging range: 32°F - 104°F/0°C - 40°C.

# **UNIQUE FEATURES & SPECIFICATIONS**

## **UV-C TECHNOLOGY**

Ultraviolet (UV) light is a short wavelength light invisible to the human eye. It kills up to 99.9% of germs and bacteria. There are cold-, heat-, and drug-resistant germs. There are no common UV-C resistant germs.

## **REVOLUTIONARY LED TECHNOLOGY**

Environmentally friendly, and is mercury and chemical free.

## **RECHARGEABLE**

This battery-powered sanitizer can run up to 70 sanitizing cycles (or up to 2 weeks worth of use) per charge, all while you're on the go!

## **PROPRIETARY POP UP**

Through research, simulations and third-party lab testing, we've derived the maximum sanitization efficacy between light dispersion angle and UV-C intensity. Our patented pop-up mechanism ensures optimal ultraviolet light exposure across your device. So popping up your case provides maximum efficacy.

## **FITS MOST PHONES**

Designed and built to accommodate phones, including most larger models, like the iPhone 8+ and Google Pixel 3.

## **ULTRA-FAST SANITIZATION**

Cleans in just 30 seconds per side.

## **SAFE**

Safety lock ensures device can only be used when it is fully zipped and the zipper pull is positioned magnetically in the on position.

## **ANTIBACTERIAL COATING**

To prevent spread of germs from 1 side of device to the other.

# UV-CLEAN

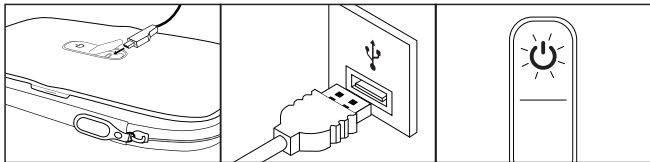
## PHONE SANITIZER



# CHARGING YOUR POP-UP PHONE SANITIZER

Charging takes 2-3 hours for full charge.

- To charge your case, use the included charging cable. Plug the small end (micro USB) into the case charging port, beneath the protective cover. Plug the USB end into a computer or USB wall charger.
- The power icon of the case will show flashing green when charging.
- When the case is fully charged, the LED will turn solid green.



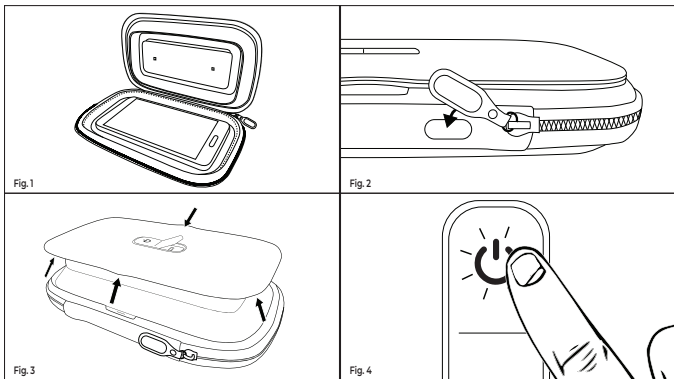
## LED INDICATORS

<ul style="list-style-type: none"><li>• Solid red</li></ul>	<ul style="list-style-type: none"><li>• At the end of the sanitizing cycle, solid red for 3 seconds and then off: 20%-30% battery left and can sanitize phone</li><li>• Solid red for 3 seconds when the power button is pressed: &lt;20% battery left and cannot sanitize phone</li></ul>
<ul style="list-style-type: none"><li>• Flashing red for 3 seconds</li></ul>	<ul style="list-style-type: none"><li>• Case not zipped closed properly</li></ul>
<ul style="list-style-type: none"><li>• Solid green</li></ul>	<ul style="list-style-type: none"><li>• Fully charged</li></ul>
<ul style="list-style-type: none"><li>• Flashing blue</li></ul>	<ul style="list-style-type: none"><li>• In sanitizing mode</li></ul>
<ul style="list-style-type: none"><li>• Flashing green</li></ul>	<ul style="list-style-type: none"><li>• Charging</li></ul>

# HOW TO USE

1. Unzip the case (Fig. 1).
  2. Place your device on the flat surface, opposite the LEDs (Fig. 1).
  3. Zip the case closed (Fig. 2).
  4. Make sure the zipper is completely closed, and the zipper pull is positioned magnetically in the on position (Fig. 2).
  5. Pull up the pop-up mechanism using the finger tabs (Fig. 3).
  6. Push the power button to turn on the sanitizing cycle (Fig. 4).
- NOTE:** If the case pops closed when pushing the power button, then pop it back up. The LED indicator will flash blue, indicating sanitizing is in progress (Fig. 4).
7. When the blue light turns off, the cleaning cycle is complete. Unzip and remove device from the case.
  8. Flip and repeat to sanitize both sides.

**NOTE:** The case will not work if it is not completely closed and the zipper pull situated magnetically in the on position.



# TROUBLESHOOTING

PROBLEM	POSSIBLE CAUSE	SOLUTION
<ul style="list-style-type: none"><li>Doesn't work</li></ul>	<ul style="list-style-type: none"><li>Not charged</li><li>Zipper not closed, and zipper pull not placed in the magnetic on position</li><li>Charging cable plugged in</li></ul>	<ul style="list-style-type: none"><li>Charge following the "Charging your pop-up phone sanitizer" instructions</li><li>Zip completely and ensure zipper pull is placed in the magnetic on position</li><li>Unplug charging cord to sanitize your phone</li></ul>
<ul style="list-style-type: none"><li>Indicator flashes red and blue</li></ul>	<ul style="list-style-type: none"><li>UV-C LEDs are damaged</li></ul>	<ul style="list-style-type: none"><li>Do not attempt to use again. Contact HoMedics Consumer Relations</li></ul>

## FAQS

### HOW DO I KNOW IF THE CASE IS WORKING?

The power icon will flash blue indicating the UV-C LEDs are on and sanitizing.

### LED INDICATOR KEEPS FLASHING RED. WHAT DOES IT MEAN?

Flashing red means the case is not properly closed. Please make sure to completely zip the case, and ensure the zipper pull is situated magnetically in the on position.

### IS THIS SAFE FOR MY PHONE?

Yes, UV-Clean uses UV-C light, not water or chemicals. UV-C light kills germs and is completely safe for your phone. Safety features ensure no UV-C light can escape and anything placed inside the case is not harmed.

### CAN IT CLEAN ANYTHING ELSE?

UV-Clean was designed primarily for phones, however you can use it to sanitize just about anything. If it's inside, UV-Clean will sanitize it. For more information about how UV-C works, please visit [www.homedics.com](http://www.homedics.com).

## FAQS (CONT.)

### WILL IT CLEAN IF IT'S NOT POPPED UP?

Yes, the case will still work and the UV-C LEDs will still turn on if the case is properly closed. However, if it is not popped up, then the coverage area of the UV-C light is greatly reduced.

### CAN I RUN MULTIPLE CONSECUTIVE CLEANING CYCLES?

Yes, you can! Though the first cycle will have cleaned your device up to 99.9%, there is no harm to your device to run another cycle if you wish.

## CARE AND MAINTENANCE

- Clean surface with soft, damp cloth.
- DO NOT use harsh chemicals.

**WARNING: This product has an internal, nonreplaceable lithium battery. Please dispose in accordance with your local, state, province, and country guidelines. Batteries (battery pack or batteries installed) should not be exposed to excessive heat such as sunshine, fire, or the like.**

### WEEE EXPLANATION



This marking indicates that this product should not be disposed of with other household wastes throughout the EU. To prevent possible harm to the environment or human health from uncontrolled waste disposal, recycle it responsibly to promote the sustainable reuse of material resources. To return your used device, please use the return and collection systems or contact the retailer where the product was purchased. They will accept this product for environmentally safe recycling.

### BATTERY DIRECTIVE



This symbol indicates that batteries must not be disposed of in domestic waste as they contain substances which can be damaging to the environment and our health. Please dispose of batteries in designated collection points.



# FCC AND IC STATEMENTS

This device complies with Part 15 of the FCC Rules. Operation is subject to the following two conditions: (1) This device may not cause harmful interference, and (2) This device must accept any interference received, including interference that may cause undesired operation.

**NOTE:** HoMedics is not responsible for any radio or TV interference caused by unauthorized modifications to this equipment. Such modifications could void the user authority to operate the equipment.

**NOTE:** This equipment has been tested and found to comply with the limits for a Class B digital device, pursuant to Part 15 of the FCC Rules and CAN ICES-3 (B)/NMB-3 (B). These limits are designed to provide reasonable protection against harmful interference in a residential installation. This equipment generates, uses, and can radiate radio frequency energy and, if not installed and used in accordance with the instructions, may cause harmful interference to radio communications. However, there is no guarantee that interference will not occur in a particular installation. If this equipment does cause harmful interference to radio or television reception, which can be determined by turning the equipment off and on, the user is encouraged to try to correct the interference by one or more of the following measures:

- Reorient or relocate the receiving antenna.
- Increase the separation between the equipment and receiver.
- Connect the equipment into an outlet on a circuit different from that to which the receiver is connected.
- Consult the dealer or an experienced radio/TV technician for help.

## RSS INFORMATION

This device complies with RSS-210 of the IC Rules. Operation is subject to the following 2 conditions: (1) This device may not cause harmful interference, and (2) This device must accept any interference received, including interference that may cause undesired operation. This Class B digital apparatus complies with Canadian ICES-003.



## 1-YEAR LIMITED WARRANTY

HoMedics sells its products with the intent that they are free of defects in manufacture and workmanship for a period of 1 year from the date of original purchase, except as noted below. HoMedics warrants that its products will be free of defects in material and workmanship under normal use and service. This warranty extends only to consumers and does not extend to Retailers.

To obtain warranty service on your HoMedics product, contact a Consumer Relations representative for assistance. Please make sure to have the model number of the product available.

HoMedics does not authorize anyone, including but not limited to Retailers, the subsequent consumer purchaser of the product from a Retailer, or remote purchasers, to obligate HoMedics in any way beyond the terms set forth herein. This warranty does not cover damage caused by misuse or abuse; accident; the attachment of any unauthorized accessory; alteration to the product; improper installation; unauthorized repairs or modifications; improper use of electrical/power supply; loss of power; dropped product; malfunction or damage of an operating part from failure to provide manufacturer's recommended maintenance; transportation damage; theft; neglect; vandalism; or environmental conditions; loss of use during the period the product is at a repair facility or otherwise awaiting parts or repair; or any other conditions whatsoever that are beyond the control of HoMedics.

This warranty is effective only if the product is purchased and operated in the country in which the product is purchased. A product that requires modifications or adoption to enable it to operate in any other country than the country for which it was designed, manufactured, approved, and/or authorized, or repair of products damaged by these modifications is not covered under this warranty.

THE WARRANTY PROVIDED HEREIN SHALL BE THE SOLE AND EXCLUSIVE WARRANTY. THERE SHALL BE NO OTHER WARRANTIES EXPRESS OR IMPLIED, INCLUDING ANY IMPLIED WARRANTY OF MERCHANTABILITY OR FITNESS OR ANY OTHER OBLIGATION ON THE PART OF THE COMPANY WITH RESPECT TO PRODUCTS COVERED BY THIS WARRANTY. HOMEDICS SHALL HAVE NO LIABILITY FOR ANY INCIDENTAL, CONSEQUENTIAL, OR SPECIAL DAMAGES. IN NO EVENT SHALL THIS WARRANTY REQUIRE MORE THAN THE REPAIR OR REPLACEMENT OF ANY PART OR PARTS THAT ARE FOUND TO BE DEFECTIVE WITHIN THE EFFECTIVE PERIOD OF THE WARRANTY. NO REFUNDS WILL BE GIVEN. IF REPLACEMENT PARTS FOR DEFECTIVE MATERIALS ARE NOT AVAILABLE, HOMEDICS RESERVES THE RIGHT TO MAKE PRODUCT SUBSTITUTIONS IN LIEU OF REPAIR OR REPLACEMENT.

This warranty does not extend to the purchase of opened, used, repaired, repackaged, and/or resealed products, including but not limited to sale of such products on internet auction sites and/or sales of such products by surplus or bulk resellers. Any and all warranties or guarantees shall immediately cease and terminate as to any products or parts thereof that are repaired, replaced, altered, or modified, without the prior express and written consent of HoMedics.

This warranty provides you with specific legal rights. You may have additional rights that may vary from country to country. Because of individual country regulations, some of the above limitations and exclusions may not apply to you.

For more information regarding our product line in the USA, please visit [www.homedics.com](http://www.homedics.com). For Canada, please visit [www.homedics.ca](http://www.homedics.ca).

---

### FOR SERVICE IN THE USA

[cservice@homedics.com](mailto:cservice@homedics.com)

**8:30am-7:00pm EST Monday-Friday**

**1-800-466-3342**

### FOR SERVICE IN CANADA

[cservice@homedicsgroup.ca](mailto:cservice@homedicsgroup.ca)

**8:30am-5:00pm EST Monday-Friday**

**1-888-225-7378**

**HOMEDICS®**



**NOUS VOUS  
REMERCIONS DE  
PRENDRE LE TEMPS**

**D'ENREGISTRER VOTRE PRODUIT À L'ADRESSE :**  
[www.homedics.com/register](http://www.homedics.com/register)

Votre contribution précieuse concernant  
ce produit nous aidera à créer les  
produits que vous désirez.

# UV-CLEAN

## DISPOSITIF DE DÉSINFECTION POUR TÉLÉPHONE

MODE D'EMPLOI ET INFORMATIONS SUR LA GARANTIE

**GARANTIE LIMITÉE DE 1 AN**

SAN-PH100

# INSTRUCTIONS DE SÉCURITÉ IMPORTANTES :

LORS DE L'UTILISATION DE PRODUITS ÉLECTRIQUES, EN PARTICULIER LORSQUE DES ENFANTS SONT PRÉSENTS, DES MESURES DE SÉCURITÉ DE BASE DOIVENT TOUJOURS ÊTRE SUIVIES, DONT LES SUIVANTES :

LIRE TOUTES LES INSTRUCTIONS AVANT L'UTILISATION.

## **DANGER** – POUR RÉDUIRE LE RISQUE DE CHOC ÉLECTRIQUE :

- NE PAS placer ni ranger l'appareil à un endroit d'où il pourrait chuter ou tomber dans un évier ou une baignoire.
- NE PAS placer ou immerger l'appareil dans de l'eau ou un autre liquide.

## **AVERTISSEMENT** – POUR RÉDUIRE LE RISQUE DE BRÛLURES, D'ÉLECTROCUTION, D'INCENDIE OU DE BLESSURES :

- CET APPAREIL EST ÉQUIPÉ D'UN MÉCANISME DE SÉCURITÉ QUI RÉDUIT LE RISQUE D'EXPOSITION AU RAYONNEMENT UV. NE PAS CONTOURNER CE DISPOSITIF DE SÉCURITÉ. UTILISER L'APPAREIL UNE FOIS LA FERMETURE À GLISSIÈRE COMPLÈTEMENT FERMÉE.T ITS PURPOSE. USE THE DEVICE WITH THE ZIPPER COMPLETELY CLOSED.
- NE PAS tenter de regarder directement les DEL UV quand l'appareil est en marche. La lumière UV peut irriter les yeux et la peau.
- NE PAS tenter de réparer cet appareil. Il a été conçu pour confiner l'exposition au rayonnement UV.

# CONSERVER CES INSTRUCTIONS

## **ATTENTION** – LIRE ATTENTIVEMENT TOUTES LES INSTRUCTIONS AVANT D'UTILISER L'APPAREIL

- NE PAS exposer l'appareil à des flammes ou à des températures excessives. Une exposition à des flammes ou des températures supérieures à 265 °F peut causer une explosion.
- Suivre toutes les instructions de charge et ne pas charger l'appareil hors de la plage de températures indiquée. Une charge incorrecte ou à des températures hors de la plage indiquée peut endommager la batterie et augmenter les risques d'incendie. Plage de températures de charge et de fonctionnement de l'appareil : 0 °C~40 °C (32 °F~104 °F).

# CARACTÉRISTIQUES ET FONCTIONNALITÉS UNIQUES

## TECHNOLOGIE UV-C

La lumière ultraviolette (UV) est une lumière à courte longueur d'onde, invisible à l'œil humain. Elle élimine jusqu'à 99,9 % des microbes et bactéries. Il existe des microbes qui résistent au froid, à la chaleur et aux médicaments. Il n'existe pas de microbes souvent rencontrés qui résistent aux UV-C.s.

## TECHNOLOGIE DEL RÉVOLUTIONNAIRE

Appareil respectueux de l'environnement, sans mercure ni autres produits chimiques.

## RECHARGEABLE

Ce dispositif de désinfection avec batterie peut effectuer jusqu'à 70 cycles de désinfection (jusqu'à 2 semaines d'utilisation) par charge et peut être utilisé partout.

## TECHNOLOGIE DÉPLIABLE EXCLUSIVE

Grâce à la recherche, aux simulations et aux essais dans des laboratoires de tiers, nous avons réussi à obtenir une désinfection la plus efficace possible en jouant sur l'angle de dispersion de la lumière et sur l'intensité des UV-C. Notre mécanisme dépliable breveté permet une exposition optimale aux ultraviolets de tout l'appareil. Déplier l'étui permet donc une efficacité optimale.

## S'ADAPTE À LA PLUPART DES TÉLÉPHONES

Conçu et fabriqué pour convenir aux téléphones intelligents, y compris les modèles les plus grands, comme le iPhone 8+ et le Google Pixel 3.

## DÉSINFECTION ULTRA RAPIDE

Nettoie en simplement 30 secondes

## SANS DANGER

Le dispositif de verrouillage de sécurité ne permet d'utiliser le dispositif que quand la fermeture à glissière est complètement fermée et que la tirette se trouve sur la position de marche grâce à son aimant.

## REVÊTEMENT ANTIBACTÉRIAL

Pour empêcher la propagation des microbes d'un côté de l'appareil à l'autre.

# UV-CLEAN

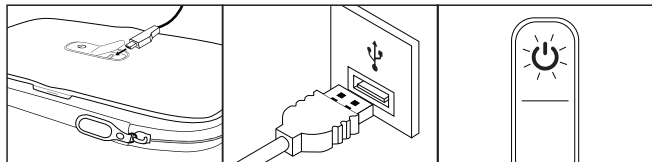
DISPOSITIF DE DÉSINFECTION  
POUR TÉLÉPHONE



# CHARGEMENT DU DISPOSITIF DÉPLIANT DE DÉSINFECTION

La charge complète prend 2 à 3 heures.

- Pour charger l'étui, utiliser le câble de charge inclus.
- Brancher la petite extrémité (micro USB) dans le port de charge de l'étui, sous la couverture de protection. Brancher l'extrémité USB dans un ordinateur ou dans un chargeur USB mural.
- Le voyant d'alimentation sur l'étui s'allume en vert clignotant lors de la charge. Lorsque l'étui est complètement chargé, le voyant passe à vert fixe.



## VOYANTS À DEL

<ul style="list-style-type: none"><li>• Rouge fixe</li></ul>	<ul style="list-style-type: none"><li>• À la fin du cycle de désinfection, rouge fixe pendant 3 secondes puis arrêt : 20 % - 30 % de batterie; peut désinfecter le téléphone</li><li>• Rouge fixe pendant 3 secondes quand le bouton d'alimentation est appuyé : &lt; 20 % de charge de batterie; ne peut pas désinfecter le téléphone</li></ul>
<ul style="list-style-type: none"><li>• Rouge clignotant pendant 3 secondes</li></ul>	<ul style="list-style-type: none"><li>• La fermeture à glissière de l'étui n'est pas fermée correctement</li></ul>
<ul style="list-style-type: none"><li>• Vert fixe</li></ul>	<ul style="list-style-type: none"><li>• Complètement chargé</li></ul>
<ul style="list-style-type: none"><li>• Bleu clignotant</li></ul>	<ul style="list-style-type: none"><li>• En mode de désinfection</li></ul>
<ul style="list-style-type: none"><li>• Vert clignotant</li></ul>	<ul style="list-style-type: none"><li>• Charge en cours</li></ul>

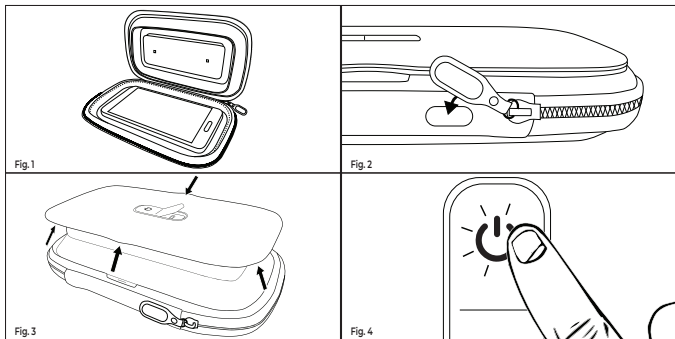
# UTILISATION

1. Ouvrir la fermeture à glissière de l'étui (Fig. 1).
2. Placer l'appareil sur la surface plate, en face des DEL (Fig. 1).
3. Fermer la fermeture à glissière de l'étui (Fig. 2).
4. S'assurer de complètement fermer la fermeture à glissière. La tirette doit être placée sur la position de marche grâce à l'aimant (Fig. 2).
5. Tirer sur le mécanisme de dépliage à l'aide des onglets (Fig. 3).
6. Appuyer sur le bouton d'alimentation pour lancer le cycle de désinfection (Fig. 4).

**REMARQUE :** Si l'étui est fermé après l'appui sur le bouton d'alimentation, tirer à nouveau sur le mécanisme de dépliage. Le voyant à DEL clignotera en bleu, indiquant que la désinfection est en cours (Fig. 4).

7. Quand le voyant bleu s'éteint, le cycle de nettoyage est terminé. Ouvrir l'étui et en sortir l'appareil.
8. Retourner l'appareil et recommencer.

**REMARQUE:** L'étui ne fonctionnera pas s'il n'est pas complètement fermé et si la tirette n'est pas sur la position de marche avec l'aimant.





# DÉPANNAGE

PROBLÈME	CAUSE POSSIBLE	SOLUTION
<ul style="list-style-type: none"><li>• Ne fonctionne pas</li></ul>	<ul style="list-style-type: none"><li>• Non chargé</li><li>• Fermeture à glissière non fermée et tirette non sur la position de marche.</li><li>• Câble de charge branché</li></ul>	<ul style="list-style-type: none"><li>• Charger en suivant les instructions « Chargement du dispositif déployable de désinfection »</li><li>• Fermer complètement la fermeture à glissière et placer la tirette sur la position de marche.</li><li>• Débrancher le cordon de charge pour désinfecter le téléphone</li></ul>
<ul style="list-style-type: none"><li>• Le voyant clignote rouge et bleu</li></ul>	<ul style="list-style-type: none"><li>• DEL UV-C endommagées</li></ul>	<ul style="list-style-type: none"><li>• Ne pas tenter de l'utiliser à nouveau. Contacter le service à la clientèle de HoMedics</li></ul>

## FAQ

### COMMENT PUIS-JE SAVOIR QUE L'ÉTUI FONCTIONNE?

Le voyant d'alimentation clignote en bleu pour indiquer que les DEL UV-C sont allumées et que la désinfection est en cours.

### LE VOYANT À DEL NE CESSE DE CLIGNOTER EN ROUGE. QU'EST-CE QUE CELA SIGNIFIE?

Rouge clignotant signifie que l'étui n'est pas correctement fermé. Assurez-vous de bien fermer la fermeture à glissière et de placer la tirette sur la position de marche grâce à l'aimant.

### CE DISPOSITIF EST-IL SANS DANGER POUR MON TÉLÉPHONE?

Oui, le dispositif UV-Clean utilise la lumière UV-C, mais n'utilise ni eau ni produits chimiques. La lumière UV-C élimine les microbes et est sans danger pour le téléphone. Les dispositifs de sécurité permettent de s'assurer qu'aucun rayon UV-C ne s'échappe et que tout ce qui est placé dans l'étui ne sera pas endommagé.

## FAQS (A CONTINUÉ)

### CE DISPOSITIF PEUT-IL NETTOYER D'AUTRES ARTICLES?

Le dispositif UV-Clean a été principalement conçu pour les téléphones. Cependant, il peut désinfecter presque tout. Tout ce qui peut être placé dans le dispositif sera désinfecté par UV-Clean. Pour plus d'informations sur le fonctionnement du dispositif UV-C, se rendre sur [www.homedics.com](http://www.homedics.com).

### LE DISPOSITIF FONCTIONNERA-T-IL S'IL N'EST PAS DÉPLIÉ?

Oui, l'étui fonctionnera toujours et les voyants à DEL UV-C s'allumeront si l'étui est bien fermé. Cependant, s'il n'est pas déplié, la zone de couverture de la lumière UV-C sera considérablement réduite.

### EST-IL POSSIBLE D'EFFECTUER PLUSIEURS CYCLES DE NETTOYAGE À LA SUITE?

Oui! Le premier cycle élimine jusqu'à 99,9 % de toutes les impuretés sur votre appareil, mais il n'y a aucun danger à le désinfecter plusieurs fois à la suite.

## SOIN ET ENTRETIEN

- Nettoyer la surface avec un chiffon doux et humide.
- NE PAS utiliser de produits chimiques agressifs.

**AVERTISSEMENT: Veuillez éliminer ce dispositif conformément à toutes les réglementations locales, d'État, provinciales et nationales. Les batteries (bloc de batterie ou batteries installées) ne doivent pas être exposées à une chaleur excessive, comme le soleil, des flammes ou d'autres sources de chaleur similaires.**

### EXPLICATION RELATIVE AUX DEE



Ce marquage indique que ce produit ne doit pas être jeté avec les autres déchets ménagers dans toute l'UE. Pour éviter tout risque de dommage à l'environnement ou à la santé humaine causé par une mise au rebut non contrôlée des déchets, recycler de façon responsable pour promouvoir la réutilisation durable des ressources matérielles. Pour retourner l'appareil usagé, prière d'utiliser les systèmes de retour et de collecte ou contacter le détaillant auprès duquel le produit a été acheté. Le produit pourra ainsi être correctement recyclé dans le respect de l'environnement.

### DIRECTIVE SUR LES BATTERIES



Ce symbole indique que les batteries ne doivent pas être éliminées dans les déchets domestiques, car ils contiennent des substances qui peuvent être nocives pour l'environnement et la santé. Prière d'éliminer les batteries auprès de sites de collecte désignés.

# DÉCLARATIONS DE LA FCC ET D'IC

Cet appareil est conforme à la partie 15 du règlement de la FCC. Son fonctionnement est soumis aux deux conditions suivantes : (1) cet appareil ne doit pas provoquer d'interférences nuisibles, et (2) cet appareil doit accepter toute interférence reçue, y compris les interférences pouvant entraîner un fonctionnement indésirable.

**REMARQUE:** HoMedics n'est pas responsable des interférences radio ou TV causées par des modifications non autorisées de cet appareil. De telles modifications pourraient entraîner l'interdiction d'utiliser l'appareil.

**REMARQUE:** Cet appareil a été testé et jugé conforme aux limites applicables aux appareils numériques de Classe B, conformément à la Partie 15 du règlement de la FCC et à CAN ICES-3 (B)/NMB-3 (B). Ces limites sont conçues pour fournir une protection raisonnable contre les interférences nuisibles dans une installation résidentielle. Cet appareil génère, utilise et peut émettre une énergie de radiofréquence et, s'il n'est pas installé et utilisé conformément aux instructions, peut causer des interférences nuisibles aux communications radio. Il n'est toutefois pas garanti que des interférences ne se produiront pas dans une installation particulière. Si cet appareil provoque des interférences nuisibles à la réception radio ou télévision, ce qui peut être déterminé en éteignant l'appareil et en le rallumant, il est recommandé d'essayer de corriger les interférences en prenant une ou plusieurs des mesures suivantes :

- Réorienter ou déplacer l'antenne de réception.
- Augmenter la distance entre l'appareil et le récepteur.
- Brancher l'appareil dans une prise sur un circuit différent de celui auquel le récepteur est branché.
- Consulter le revendeur ou un technicien radio/TV expérimenté pour obtenir de l'aide.

## **NORMES RADIOÉLECTRIQUES (CNR)**

Cet appareil est conforme à la norme CNR-210 du règlement d'Industrie Canada. Son fonctionnement est soumis aux deux conditions suivantes : (1) cet appareil ne doit pas provoquer d'interférences nuisibles, et (2) cet appareil doit accepter toute interférence reçue, y compris les interférences pouvant entraîner un fonctionnement indésirable. Cet appareil numérique de classe B est conforme à la norme canadienne ICES-003.



## GARANTIE LIMITÉE DE 1 AN

HoMedics vend ses produits avec l'intention qu'ils soient exempts de défauts de matériaux et de fabrication pour une période de 1 an à compter de la date d'achat originale, sauf comme indiqué ci-dessous. HoMedics garantit que ce produit est exempt de vices de matériaux et de fabrication dans des conditions normales d'utilisation et de service. Cette garantie s'applique uniquement aux consommateurs et non pas aux détaillants.

Pour obtenir un service de garantie sur le produit HoMedics, appeler un représentant du service à la clientèle pour obtenir de l'aide. Prière d'avoir le numéro de modèle du produit à disposition.

HoMedics n'autorise personne, y compris notamment les détaillants, les acheteurs/consommateurs subséquents ni les acheteurs à distance, à obliger HoMedics de quelque façon que ce soit autrement que conformément aux dispositions des présentes. Cette garantie ne couvre pas les dommages causés par une mauvaise utilisation ou un abus, un accident, l'utilisation d'un accessoire non autorisé quelconque, une modification du produit, une installation incorrecte, des réparations ou des modifications non autorisées, une utilisation incorrecte de l'électricité et de l'alimentation électrique, une perte de puissance, une chute du produit, le dysfonctionnement ou l'endommagement d'une pièce dû au non-respect des consignes d'entretien du fabricant, les dommages se produisant durant le transport, le vol, la négligence, le vandalisme, les conditions environnementales, la perte de l'usage au cours de la période durant laquelle le produit est dans un établissement de réparation ou en attente de pièces ou d'une réparation, ni toute autre condition hors du contrôle de HoMedics.

Cette garantie n'est valide que si le produit est acheté et utilisé dans le pays où il a été acheté. Un produit qui exige des modifications ou des adaptations pour lui permettre de fonctionner dans tout pays autre que le pays pour lequel il a été conçu, fabriqué, approuvé et/ou autorisé, ou la réparation de produits endommagés par ces modifications, ne sont pas couverts par cette garantie.

LA GARANTIE FOURNIE PAR LES PRÉSENTES CONSTITUE LA GARANTIE UNIQUE ET EXCLUSIVE. IL N'EXISTE AUCUNE AUTRE GARANTIE EXPRESSE OU TACITE, Y COMPRIS AUCUNE GARANTIE IMPLICITE DE QUALITÉ MARCHANDE OU D'ADAPTATION À UN USAGE PARTICULIER, NI AUCUNE AUTRE OBLIGATION DE LA PART DE LA SOCIÉTÉ À L'ÉGARD DES PRODUITS COUVERTS PAR CETTE GARANTIE. HOMEDICS NE SERA PAS RESPONSABLE DES DOMMAGES ACCESSOIRES, INDIRECTS OU SPÉCIAUX. EN AUCUN CAS CETTE GARANTIE NE REQUERRA PLUS QUE LA RÉPARATION OU LE REMPLACEMENT DE TOUTE PIÈCE AVÉRÉE DÉFECTUEUSE DANS LA PÉRIODE D'EFFET DE LA GARANTIE. AUCUN REMBOURSEMENT NE SERA ACCORDÉ. SI DES PIÈCES DE RECHANGE NE SONT PAS DISPONIBLES POUR L'ÉQUIPEMENT DÉFECTUEUX, HOMEDICS SE RÉSERVE LE DROIT DE SUBSTITUER LE PRODUIT AU LIEU DE LE RÉPARATION OU DE LE REMPLACER.

Cette garantie ne s'étend pas à l'achat de produits ouverts, usagés, réparés, reconditionnés et/ou réemballés, y compris notamment à la vente de ces produits sur les sites Web de ventes aux enchères et/ou par l'intermédiaire de revendeurs de produits en gros ou excédentaires. Toute garantie concernant tout produit ou toute partie de produit réparé(e), remplacé(e), altéré(e) ou modifié(e) sans le consentement écrit préalable exprès de HoMedics doit immédiatement cesser et prendre fin.

Cette garantie confère des droits juridiques spécifiques. D'autres droits qui varient d'un État à l'autre ou d'un pays à l'autre peuvent s'appliquer. En raison de la réglementation de chaque État ou pays, certaines limitations et exclusions ci-dessus peuvent ne pas s'appliquer.

Pour plus d'informations concernant notre gamme de produits aux États-Unis, prière de visiter [www.homedics.com](http://www.homedics.com) Pour le Canada, prière de visiter [www.homedics.ca](http://www.homedics.ca).

---

### COORDONNÉES DU SERVICE APRÈS-VENTE AUX ÉTATS UNIS

[cservice@homedics.com](mailto:cservice@homedics.com)

Du lundi au vendredi de 8 h 30 à 19 h

1-800-466-3342

### COORDONNÉES DU SERVICE APRÈS-VENTE AU CANADA

[cservice@homedicsgroup.ca](mailto:cservice@homedicsgroup.ca)

Du lundi au vendredi de 8 h 30 à 17 h

1-888-225-7378

©2019 HoMedics, LLC. Tous droits réservés. HoMedics est une marque déposée de HoMedics, LLC.  
Distribué par HoMedics, LLC, 3000 N Pontiac Trail, Commerce Township, MI 48390

IB-SANPH100

Fabriqué en China

**HOMEDICS®**



**TÓMESE UN  
MOMENTO AHORA**  
**REGISTRE SU PRODUCTO EN:**

[www.homedics.com/register](http://www.homedics.com/register)

Su valioso aporte sobre este  
producto nos ayudará a crear  
los productos que desee en  
el futuro.

# UV-CLEAN

## DISPOSITIVO DESINFECTANTE PARA TELÉFONOS

MANUAL DE INSTRUCCIONES E INFORMACIÓN SOBRE LA GARANTÍA

**GARANTÍA LIMITADA DE 1 AÑO**

SAN-PH100

# INSTRUCCIONES IMPORTANTES DE SEGURIDAD

AL USAR PRODUCTOS ELÉCTRICOS SE DEBEN SEGUIR SIEMPRE PRECAUCIONES BÁSICAS DE SEGURIDAD, INCLUIDAS LAS SIGUIENTES:

LEA TODAS LAS INSTRUCCIONES ANTES DE USARLO.

## **PELIGRO** – PARA REDUCIR EL RIESGO DE DESCARGA ELÉCTRICA:

- NO ponga ni guarde electrodomésticos donde puedan caerse o ser empujados a una bañera o a un lavabo.
- NO la ponga ni la deje caer en agua o en otros líquidos.

## **ADVERTENCIA** – REDUCIR EL RIESGO DE QUEMADURAS, INCENDIO, DESCARGA ELÉCTRICA O LESIONES PERSONALES:

- ESTE PRODUCTO SE PROPORCIONA CON UN MECANISMO DE SEGURIDAD PARA REDUCIR EL RIESGO DE EXPOSICIÓN A LA RADIACIÓN ULTRAVIOLETA. NO ANULE SU PROPÓSITO. USE EL DISPOSITIVO CON LA CREMALLERA COMPLETAMENTE CERRADA.
- NO trate de ver directamente a los LED UV mientras la unidad está encendida. La luz UV puede ser irritante para los ojos y la piel.
- NO intente modificar este producto. Ha sido diseñado para contener la exposición UV.

# GUARDE ESTAS INSTRUCCIONES

## **PRECAUCIÓN** – POR FAVOR, LEA CUIDADOSAMENTE TODAS LAS INSTRUCCIONES ANTES DE UTILIZARLO.

- NO exponga el dispositivo al fuego ni a temperaturas excesivas. La exposición al fuego o a una temperatura superior a 130 °C (265 °F) puede provocar una explosión.
- Siga todas las instrucciones de carga y no cargue el dispositivo fuera del rango de temperatura especificado. Una carga inadecuada o a temperaturas fuera del rango especificado puede dañar la batería y aumentar el riesgo de incendio. Rango de operación y carga del producto: 0 °C a 40 °C (32 °F a 104 °F).

# **CARACTERÍSTICAS Y ESPECIFICACIONES ÚNICAS**

## **TECNOLOGÍA UV-C**

La luz ultravioleta (UV) es un luz de onda corta que es invisible para el ojo humano. Mata hasta el 99.9 % de los gérmenes y bacterias. Hay gérmenes resistentes al frío, al calor y a los fármacos. No hay gérmenes comunes que sean resistentes a la UV-C.

## **REVOLUCIONARIA TECNOLOGÍA LED**

Appareil respectueux de l'environnement, sans mercure ni autres produits chimiques.

## **RECARGABLE**

Este desinfectante alimentado por baterías puede funcionar hasta 70 ciclos de desinfección (o hasta 2 semanas se uso) por carga, ¡todo sobre la marcha!

## **MECANISMO EMERGENTE PROPIETARIO**

A través de investigación, simulaciones y pruebas de laboratorio de terceros, hemos obtenido la eficacia de desinfección máxima entre el ángulo de dispersión de la luz y la intensidad de los rayos UV-C. Nuestro mecanismo emergente patentado garantiza una óptima exposición a la luz ultravioleta por todo su dispositivo. Así que hacer emerger su estuche proporciona la máxima eficacia.

## **ADAPTA A LA MAYORÍA DE LOS TELÉFONOS**

Diseñado y ensamblado para adaptarse a smartphones, incluyendo la mayoría de los modelos grandes, como el iPhone 8+ y el Google Pixel 3.

## **DESINFECCIÓN ULTRARÁPIDA**

Limpia en solo 30 segundos por lado.

## **SEGURO**

El cierre de seguridad garantiza que el dispositivo solo pueda usarse cuando la cremallera está completamente cerrada y el tirador de la cremallera está colocado magnéticamente en la posición de encendido.

## **CUBIERTA ANTIBACTERIANA**

Para prevenir la propagación de gérmenes de 1 lado del dispositivo al otro.

# UV-CLEAN

DISPOSITIVO DESINFECTANTE  
PARA TELÉFONOS

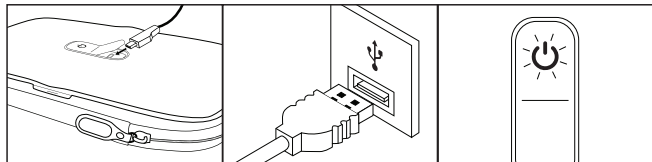




# CÓMO CARGAR SU DISPOSITIVO DESINFECTANTE EMERGENTE PARA TELÉFONOS

La carga tarda entre 2 y 3 horas en completarse.

- Para cargar su estuche, use el cable de carga incluido.
- Conecte el extremo pequeño (micro USB) en el puerto de carga del estuche, debajo de la cubierta protectora. Conecte el extremo USB en una computadora o cargador de pared USB.
- El icono de encendido del estuche se encenderá de un color verde intermitente cuando se esté cargando. Cuando el estuche esté completamente cargado, el LED se encenderá de color verde permanente.



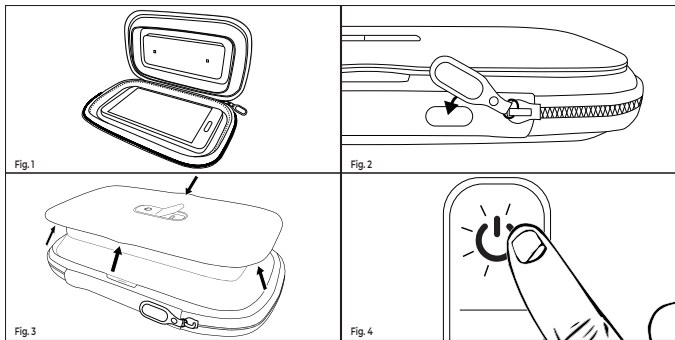
## INDICADORES LED

<ul style="list-style-type: none"><li>• Luz roja permanente</li></ul>	<ul style="list-style-type: none"><li>• Al final del ciclo de desinfección, brilla en forma permanente de color rojo durante 3 segundos y después se apaga: 20 % - 30 % de batería y puede desinfectar el teléfono</li><li>• Brilla en forma permanente de color rojo durante 3 segundos cuando se presiona el botón de encendido: &lt; 20 % de batería y no puede desinfectar el teléfono</li></ul>
<ul style="list-style-type: none"><li>• Parpadea de color rojo durante 3 segundos</li></ul>	<ul style="list-style-type: none"><li>• Estuche no tiene bien cerrada la cremallera</li></ul>
<ul style="list-style-type: none"><li>• Verde permanente</li></ul>	<ul style="list-style-type: none"><li>• Carga completa</li></ul>
<ul style="list-style-type: none"><li>• Azul intermitente</li></ul>	<ul style="list-style-type: none"><li>• En modo de desinfección</li></ul>
<ul style="list-style-type: none"><li>• Verde intermitente</li></ul>	<ul style="list-style-type: none"><li>• Carga</li></ul>

# CÓMO UTILIZARLO

1. Abra la cremallera del estuche (Fig. 1).
2. Coloque su dispositivo inteligente sobre la superficie plana, en la parte contraria a los LED (Fig. 1).
3. Cierre la cremallera del estuche (Fig. 2).
4. Asegúrese de que la cremallera esté completamente cerrada y el tirador de la cremallera esté colocado magnéticamente en la posición de encendido (Fig. 2).
5. Jale hacia arriba el mecanismo emergente usando las pestañas para los dedos (Fig. 3).
6. Presione el botón de encendido para encender el ciclo de desinfección (Fig. 4). Nota: Si el estuche se cierra cuando presione el botón de encendido, entonces vuelva a hacer que emerja. El indicador LED parpadeará de color azul, indicando que la desinfección está en proceso (Fig. 4).
7. Cuando se apague la luz azul, el ciclo de limpieza se habrá completado. Abra la cremallera y saque el dispositivo inteligente del estuche.
8. Dele vuelta y repita para desinfectar ambos lados.

**NOTA:** El estuche no funcionará si no está completamente cerrado y el tirador de la cremallera no está situado magnéticamente en la posición de encendido.



# SOLUCIÓN DE PROBLEMAS

PROBLEMA	POSIBLE CAUSA	SOLUCIÓN
<ul style="list-style-type: none"><li>No funciona</li></ul>	<ul style="list-style-type: none"><li>No está cargado</li><li>La cremallera no está cerrada y el tirador no está colocado magnéticamente en la posición de encendido</li><li>Cable de carga conectado</li></ul>	<ul style="list-style-type: none"><li>Cargue siguiendo las instrucciones de "Cómo cargar su dispositivo desinfectante emergente para teléfonos"</li><li>Cierre completamente la cremallera y asegúrese de que el tirador esté colocado magnéticamente en la posición de encendido</li><li>Desconecte el cable de carga para desinfectar su teléfono</li></ul>
<ul style="list-style-type: none"><li>El indicador parpadea de color rojo y azul</li></ul>	<ul style="list-style-type: none"><li>Los LED UV-C están dañados</li></ul>	<ul style="list-style-type: none"><li>No trate de usarlo nuevamente. Póngase en contacto con Relaciones con el Cliente de HoMedics</li></ul>

## PREGUNTAS FRECUENTES

### ¿CÓMO SÉ SI EL ESTUCHE ESTÁ FUNCIONANDO?

El icono de encendido parpadeará en color azul indicando que los LED UV-C están encendidos y desinfectando.

### INDICADOR LED SIGUE PARPADEANDO EN COLOR ROJO. ¿QUÉ SIGNIFICA?

La luz roja parpadeante significa que el estuche no está debidamente cerrado. Asegúrese de cerrar completamente la cremallera del estuche y de que el tirador de la cremallera esté situado magnéticamente en la posición de encendido.

### ¿ES ESTO SEGURO PARA MI TELÉFONO?

Sí, UV-Clean usa luz UV-C, no agua ni sustancias químicas. La luz UV-C mata a los gérmenes y es completamente segura para su teléfono. Las características de seguridad garantizan que la luz UV-C no se escape y que cualquier cosa colocada dentro del estuche no sufra daño alguno.

## PREGUNTAS FRECUENTES (CONTINUADO)

### ¿PUEDE LIMPIAR CUALQUIER OTRA COSA?

UV-Clean fue diseñado principalmente para smartphones, no obstante, puede usarlo para desinfectar casi cualquier cosa. Si está en su interior, UV-Clean lo desinfectará. Para obtener más información sobre cómo funciona la luz UV-C, visite [www.homedics.com](http://www.homedics.com).

### ¿PODRÁ LIMPIAR SI NO HA EMERGIDO?

Sí, el estuche funcionará y los LED UV-C se encenderán si el estuche está debidamente cerrado. Sin embargo, si no ha emergido, entonces el área de cobertura de la luz UV-C se reduce en gran medida.

### ¿PUEDO REALIZAR MÚLTIPLES CICLOS DE LIMPIEZA CONSECUTIVOS?

¡Sí, puede hacerlo! Aunque el primer ciclo habrá limpiado su dispositivo hasta en un 99.9 %, no le causa daño alguno a su dispositivo si realiza otro ciclo, si así lo desea.

## CUIDADOS Y MANTENIMIENTO

- Limpie la superficie con un paño suave y húmedo.
- NO use productos químicos agresivos.

**ADVERTENCIA:** Este producto tiene una batería interna de litio no reemplazable. Deséchelo de acuerdo con las pautas locales, estatales, provinciales y nacionales. Las baterías (paquete de batería o baterías instaladas) no se deben exponer al calor excesivo como la luz solar, el fuego o similares.

### EXPLICACIÓN SOBRE RESIDUOS DE APARATOS ELÉCTRICOS Y ELECTRÓNICOS



Esta marca indica que el producto no debe desecharse con otros residuos domésticos en la Unión Europea. Para evitar posibles daños al medio ambiente o a la salud humana debidos a la eliminación incontrolada de desechos, recicle el aparato de manera responsable para fomentar la reutilización sostenible de los recursos materiales. Para devolver su dispositivo usado, utilice los sistemas de devolución y recolección o contacte al distribuidor con el que adquirió el producto. Ellos aceptarán este producto y podrán reciclarlo de forma segura para el medio ambiente.

### DIRECTRIZ DE LA BATERÍA



Este símbolo indica que las baterías no deben desecharse junto a la basura doméstica, ya que contienen sustancias que pueden ser dañinas para el medio ambiente y para la salud. Deseche las baterías en los puntos de recolección designados.

# DECLARACIONES DE CONFORMIDAD CON LA FCC Y CON IC

Este dispositivo cumple con la parte 15 de las reglas de la FCC. El funcionamiento está sujeto a las siguientes dos condiciones: (1) este dispositivo no puede causar interferencia perjudicial, y (2) este dispositivo debe aceptar cualquier interferencia recibida, incluyendo aquellas interferencias que puedan provocar un funcionamiento no deseado.

**NOTA:** HoMedics no se hace responsable de ninguna interferencia de radio o TV causada por modificaciones no autorizadas a este equipo. Tales modificaciones podrían invalidar la facultad del usuario para operar el equipo.

**NOTA:** Este equipo ha sido probado y se encontró que cumple con los límites de un dispositivo digital Clase B, de conformidad con la Parte 15 de las Reglas de FCC y CAN ICES-3 (B) /NMB-3 (B). Estos límites están diseñados para proporcionar una protección razonable contra la interferencia dañina en una instalación residencial. Este equipo genera, usa y puede irradiar energía de radiofrecuencia y si no se instala y usa de conformidad con las instrucciones, puede ocasionar interferencia dañina a las radiocomunicaciones. Sin embargo, no hay garantías de que no ocurra interferencia en una instalación en particular. Si este equipo causa interferencia dañina en la recepción de radio o televisión, lo cual se puede determinar apagando y encendiendo el equipo, se sugiere al usuario que trate de corregir la interferencia tomando una o más de las siguientes medidas:

- Reoriente o reubique la antena receptora.
- Aumente la separación entre el equipo y el receptor.
- Conecte el equipo a un enchufe de un circuito diferente al que esté conectado el receptor.
- Consulte al distribuidor o a un técnico experimentado de radio y TV para obtener ayuda

## INFORMACIÓN DE RSS

Este dispositivo cumple con las normas RSS-210 del reglamento IC. El funcionamiento está sujeto a las siguientes dos condiciones: (1) este dispositivo no puede causar interferencia perjudicial, y (2) este dispositivo debe aceptar cualquier interferencia recibida, incluyendo aquellas interferencias que puedan provocar un funcionamiento no deseado. Este aparato digital de Clase B cumple con la norma canadiense ICES-003.



## GARANTÍA LIMITADA DE 1-AÑO

HoMedics vende sus productos con la intención de que estén libres de defectos de fabricación y mano de obra por un período de 1 año a partir de la fecha de compra original, con excepción de lo que se indica a continuación. HoMedics garantiza que sus productos no tendrán defectos de material ni de mano de obra en condiciones de uso y servicio normales. Esta garantía se extiende únicamente a consumidores y no a minoristas.

Para obtener el servicio de garantía en su producto HoMedics, comuníquese con un representante de relaciones con el cliente para obtener ayuda. Asegúrese de tener a la mano el número de modelo del producto.

HoMedics no autoriza a nadie, incluyendo, pero no limitado a, minoristas, el comprador posterior del producto de un minorista o los compradores remotos, a obligar a HoMedics en cualquier forma más allá de los términos aquí establecidos. Esta garantía no cubre los daños causados por mal uso o abuso; accidente; conexión de accesorios no autorizados; alteración del producto; instalación incorrecta; reparaciones o modificaciones no autorizadas; uso inapropiado de energía eléctrica/fuente de alimentación; pérdida de alimentación eléctrica; caída del producto; funcionamiento incorrecto o daño de una parte operativa por no proporcionar el mantenimiento recomendado por el fabricante; daño al transportarlo; robo; negligencia; vandalismo; o condiciones ambientales; pérdida del uso durante el período en que el producto se encuentre en una instalación de reparación o en espera de partes o de reparación; o cualquier otra condición ajena al control de HoMedics.

Esta garantía sólo es efectiva si el producto se adquiere y se opera en el país en el que ha sido adquirido. Un producto que requiera modificaciones o adaptaciones para que funcione en cualquier otro país que no sea el país para el cual fue diseñado, fabricado, aprobado y/o autorizado, o la reparación de productos dañados por estas modificaciones no está cubierto por esta garantía.

LA GARANTÍA PROPORCIONADA EN ESTE DOCUMENTO SERÁ LA GARANTÍA ÚNICA Y EXCLUSIVA. NO HABRÁ NINGUNA OTRA GARANTÍA EXPLÍCITA O IMPLÍCITA, INCLUYENDO CUALQUIER GARANTÍA IMPLÍCITA DE COMERCIABILIDAD O DE IDONEIDAD O CUALQUIER OTRA OBLIGACIÓN POR PARTE DE LA COMPAÑÍA CON RESPECTO A LOS PRODUCTOS CUBIERTOS POR ESTA GARANTÍA. HOMEDICS NO SERÁ RESPONSABLE POR DAÑOS INCIDENTALES, SECUNDARIOS O ESPECIALES. EN NINGÚN CASO ESTA GARANTÍA PRECISA MÁS DE LA REPARACIÓN O REEMPLAZO DE CUALQUIER PARTE O PARTES QUE SE DETERMINE QUE TIENEN ALGÚN DEFECTO EN EL PERÍODO DE VIGENCIA DE LA GARANTÍA. NO SE OTORGARÁN REEMBOLSOS. SI NO HAY PIEZAS DE RECAMBIO DISPONIBLES PARA MATERIALES DEFECTUOSOS, HOMEDICS SE RESERVA EL DERECHO DE HACER SUBSTITUCIONES DE PRODUCTOS EN LUGAR DE REPARACIÓN O REEMPLAZO.

Esta garantía no se extiende a la compra de productos abiertos, usados, reparados, reempacados y/o revendidos, incluyendo pero no limitados a la venta de dichos productos en sitios de subastas en Internet y/o ventas de dichos productos por revendedores de excedentes o a granel. Todas y cada una de las garantías cesarán y terminarán inmediatamente en cuanto a los productos o partes de los mismos que sean reparados, reemplazados, alterados o modificados sin el previo consentimiento expreso y por escrito de HoMedics.

Esta garantía le otorga derechos legales específicos. Usted puede gozar de derechos adicionales, los cuales pueden variar de un país a otro. Debido a las regulaciones de cada país, algunas de las limitaciones y exclusiones anteriores pueden no aplicarse a usted.

Para obtener más información sobre nuestra línea de productos en EUA visite [www.homedics.com](http://www.homedics.com). Para Canadá, por favor, visite [www.homedics.ca](http://www.homedics.ca).

---

### PARA SERVICIO EN EUA

[cservice@homedics.com](mailto:cservice@homedics.com)

**De lunes a viernes de 8:30 am -7:00pm**  
**Hora del este**

### PARA SERVICIO EN CANADÁ

[cservice@homedicsgroup.ca](mailto:cservice@homedicsgroup.ca)

**De lunes a viernes de 8:30 am - 5:00pm**  
**Hora del este**



**HOMEDICS®**